

# Radio Remote Controls





# K-Series Radio Remote Controls

The K-Series Radio Remote Controls are suitable for most standard overhead travelling crane applications. Phase Lock Loop (PLL) system creates distinct narrow band operating frequencies, set by software. Units are C-Tick approved by the Australian Communications and Media Authority with 70 non-licensed operating channels available on the 433-434MHz band. Units are also fully compliant with the requirements of AS1418.1-2002.

---

## K-Series Specifications

---

Operating Range:	Minimum 100m
Frequency Range:	433.05 – 434.775MHz 70 channels with 25kHz channel spacing
Emission Power:	Less than 10mW (adjustable, 8 levels)
ID Code:	Over 1 million sets
Hamming Distance:	≥ 4
Enclosures:	Glass fibre reinforced nylon, IP65

---

## Extensive Safety Features

---

- Emergency Stop (EMS) is independently certified EN-ISO 13849-1 Category 4 Safety of Machinery: Safety-related parts of control systems
- Transmitter EMS mushroom features 2 × N/C switches
- Receiver features dual independent CPUs (microcontrollers) which monitor each other and will execute emergency stop if one CPU fails
- Receiver features dual series-connected main relays, each controlled separately by 2 × different CPUs and will execute emergency stop, if one main relay fails
- Current sensing “jammed relay” detection on function relays

---

## Transmitter Features

---

- 2-speed buttons with distinctive position detents
- Large mushroom E-Stop button (twist to reset)
- Integrated internal antenna
- Removable waterproof key
- 3 stage low power indicator (visual and audible)
- 4 × standard alkaline or rechargeable AA batteries

---

## Receiver Features

---

- Integrated horn / alarm built into receiver
- Visible external power indicator
- F-Type antenna for easy antenna extension
- Pre-wired with 2m loom multi-core cable
- Vibration dampening rubber bushing mounts
- 48 / 240 / 415V AC or 24V DC power supply

---

## Other Features of K-Series

---

Dual Frequencies:	At start-up the radio control automatically selects frequency less likely to suffer interference
Adjustable Emission Power:	Transmitter power can be adjusted (ie, lowered) as required for different applications and industry types (8 settings possible)
Remote Pairing:	New transmitters (without data file) can be paired to an existing receiver without accessing the receiver installed on the crane
“Power On” Switch / Key:	Non-contacting reed switch is also a removable key to disable transmitter
Temperature Stabilization:	Temperature Control Crystal Oscillator (TXCO) prevents frequency deviation due to temperature changes
Changing Functions:	Pushbutton functions and system settings are changed via PC software
Programmable Functions:	Numerous possible non-standard functions include inching, acceleration delay, interlock delay, magnet control, etc.

EMS Stop  
EN-ISO 13849-1 Cat. 4

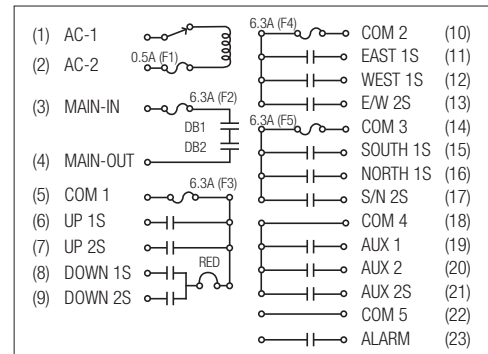


# K-Series Radio Remote Controls

## K2 Series



K2 Receiver Wiring Diagram



8-Button, 2-Speed with E-Stop

Kit Part Numbers:

- SAGA1-K2

AC Supply: 48 / 240 / 415V AC

- SAGA1-K2-24V DC

DC Supply: 24V DC

Kit consists of:

- 2 × Transmitters + 1 × Receiver

- 2 × Protective Pouches

- 8 × AA Alkaline Batteries

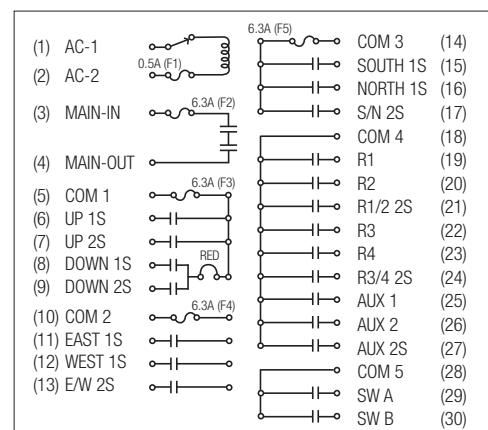
- Installation Manual

	Transmitter	Receiver
Part No.	SAGA1-K2TX	SAGA1-K2RX
Dimensions	167 × 48 × 55mm	167 × 154 × 88mm
Weight	210g	2100g
Power	4 × AA Batteries	AC or DC supply

## K4 Series



K4 Receiver Wiring Diagram



12-Button, 2-Channel, 2-Speed with E-Stop

Kit Part Number:

- SAGA1-K4

AC Supply: 48 / 240 / 415V AC

Kit consists of:

- 2 × Transmitters + 1 × Receiver

- 8 × AA Alkaline Batteries

- Installation Manual

	Transmitter	Receiver
Part No.	SAGA1-K4TX	SAGA1-K4RX
Dimensions	274 × 77 × 42mm	310 × 160 × 95mm
Weight	385g	2900g
Power	4 × AA Batteries	AC supply

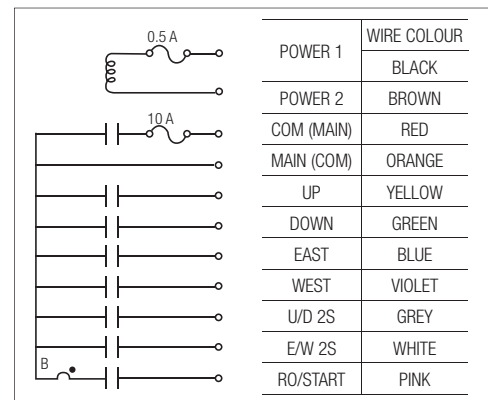
# Protean HT Radio Remote Controls

The Protean-HT Radio Remote Control is ideal for controlling monorail hoists. Quartz crystals create distinct stable operating frequency. Unit is C-Tick approved by the Australian Communications and Media Authority with 7 non-licensed operating channels on the 433-434MHz band.

## Protean HT



Protean HT Wiring Diagram



4-Button, 2-Speed with E-Stop

Kit Part Numbers :

- 700PRO6DHT

AC Supply: 24 / 48V or 240 / 415V

- 700PRO6DHT-24VDC

DC Supply: 12 ~ 24V DC

Kit consists of:

- 2 × Transmitters + 1 × Receiver

- 2 × Protective Pouches

- 4 × AA Alkaline Batteries

- Installation Manual

	Transmitter	Receiver
Part No.	701PRO6B-TX	701PRO6B-RX
Dimensions	167 × 48 × 55mm	161 × 74 × 52mm
Weight	210g	2100g
Power	2 × AA Batteries	AC or DC supply

## Optional Accessories



Passive Antenna



Protective Covers



# www.conductix.com

## **Victoria (Head Office)**

14 England Street  
Dandenong VIC 3175  
Phone: +61 3 9706 8844  
Fax: +61 3 9794 9298

## **New South Wales**

4/77 Newton Road  
Wetherill Park NSW 2164  
Phone: +61 2 9604 9800  
Fax: +61 2 9604 9844

## **Queensland**

2/9 Archimedes Place  
Murarrie QLD 4172  
Phone: +61 7 3902 6000  
Fax: +61 7 3902 6001

## **Western Australia**

6/133 Kelvin Road  
Maddington WA 6109  
Phone: +61 8 9452 1986  
Fax: +61 8 9459 0503

sales-australia@conductix.com  
www.conductix.com

