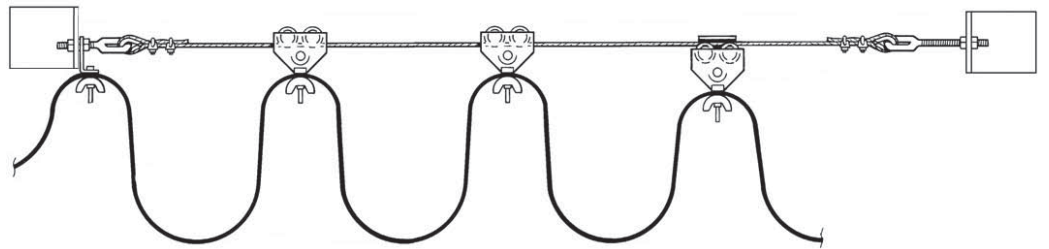


Festoon Stretch Wire



Conductix Incorporated

The technical data and images which appear in this manual are for informational purposes only. **NO WARRANTIES, EXPRESS OR IMPLIED, INCLUDING WARRANTIES OF MERCHANTABILITY OR FITNESS FOR A PARTICULAR PURPOSE, ARE CREATED BY THE DESCRIPTIONS AND DEPICTIONS OF THE PRODUCTS SHOWN IN THIS MANUAL.** Conductix makes no warranty (and assumes no liability) as to function of equipment or operation of systems built according to customer design or of the ability of any of its products to interface, operate or function with any portions of customer systems not provided by Conductix.

Seller agrees to repair or exchange the goods sold hereunder necessitated by reason of defective workmanship and material discovered and reported to Seller within one year after shipment of such goods to Buyer.

Except where the nature of the defect is such that it is appropriate, in Seller's judgment, to effect repairs on site, Seller's obligation hereunder to remedy defects shall be limited to repairing or replacing (at Seller's option) FOB point of original shipment by Seller, any part returned to Seller at the risk and cost of Buyer. Defective parts replaced by Seller shall become the property of Seller.

Seller shall only be obligated to make such repair or replacement if the goods have been used by Buyer only in service recommended by Seller and altered only as authorized by Seller. Seller is not responsible for defects which arise from improper installation, neglect, or improper use or from normal wear and tear.

Additionally, Seller's obligation shall be limited by the manufacturer's warranty (and is not further warranted by Seller) for all parts procured from others according to published data, specifications or performance information not designed by or for Seller.

Seller further agrees to replace or at Seller's option to provide a refund of the sales price of any goods that do not conform to applicable specifications or which differ from that agreed to be supplied which non-conformity is discovered and forthwith reported to Seller within thirty (30) days after shipment to the Buyer. Seller's obligation to replace or refund the purchase price for non-conforming goods shall arise once Buyer returns such goods FOB point of original shipment by Seller at the risk and cost of Buyer. Goods replaced by Seller shall become the property of Seller.

There is no guarantee or warranty as to anything made or sold by Seller, or any services performed, except as to title and freedom from encumbrances and, except as herein expressly stated and particularly, and without limiting the foregoing, **there is no guarantee or warranty, express or implied, of merchantability or of fitness for any particular purpose or against claim of infringement or the like.**

Seller makes no warranty (and assumes no liability) as to function of equipment or operation of systems built to Buyer's design or of the ability of any goods to interface, operate or function with any portions of Buyer's system not provided by Seller.

Seller's liability on any claim, whether in contract, tort (including negligence), or otherwise, for any loss or damage arising out of, connected with, or resulting from the manufacture, sale, delivery, resale, repair, replacement or use of any products or services shall in no case exceed the price paid for the product or services or any part thereof which give rise to the claim. In no event shall Seller be liable for consequential, special, incidental or other damages, nor shall Seller be liable in respect of personal injury or damage to property not the subject matter hereof unless attributable to gross misconduct of Seller, which shall mean an act or omission by Seller demonstrating reckless disregard of the foreseeable consequences thereof.

Seller is not responsible for incorrect choice of models or where products are used in excess of their rated and recommended capacities and design functions or under abnormal conditions. Seller assumes no liability for loss of time, damage or injuries to property or persons resulting from the use of Seller's products. Buyer shall hold Seller harmless from all liability, claims, suits and expenses in connection with loss or damage resulting from operation of products or utilization of services, respectively, of Seller and shall defend any suit or action which might arise there from in Buyer's name - provided that Seller shall have the right to elect to defend any such suit or action for the account of Buyer. The foregoing shall be the exclusive remedies of the Buyer and all persons and entities claiming through the Buyer.

1.0 Safety

- 1.1 Electrical Warnings
- 1.2 Operation Warnings
- 1.3 Maintenance Warnings

2.0 Installation

3.0 Operation

- 3.1 Pre-Operational Inspection
- 3.2 Operation Instructions

4.0 Maintenance

5.0 Replacement Parts

1.0 Safety

1.1 Electrical Warnings

- 1.1.1 Properly ground all electrical connections in accordance with the National Electric Code and local codes and ordinances.
- 1.1.2 Disconnect the electrical power from the system before any service is performed.
- 1.1.3 Do not use cable for loads greater than the voltage and current rating. The ampacity rating of the cable should be in accordance with the National Electric Code.

1.2 Operational Warnings

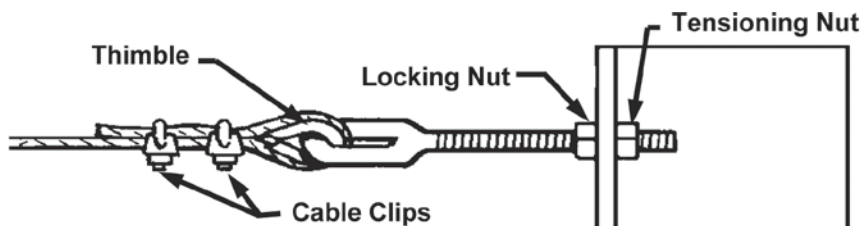
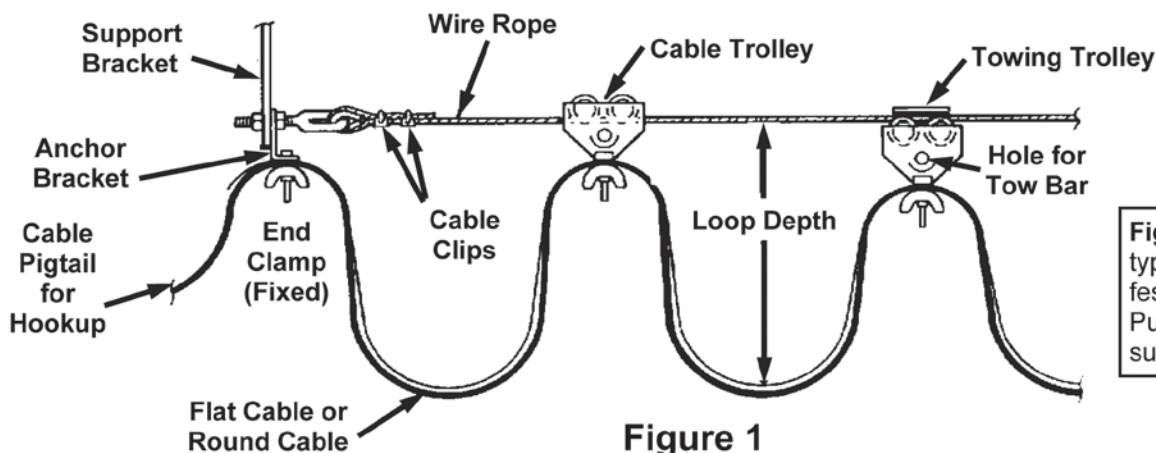
- 1.2.1 Exercise care when handling the festoon system during normal operation.
- 1.2.2 Do not use cable not intended for use with the system. Changes in diameter, weight per foot, length of cable or flexibility will affect the operation of the system.
- 1.2.3 Mounting hardware and fasteners should be installed to maintain tightness under vibration and checked periodically to insure tightness.

1.3 Maintenance Warnings

- 1.3.1 **WARNING:** Modification of this equipment may cause excessive wear and will void the warranty. Contact the manufacturer regarding changes or modifications of equipment which could affect reliability or safety.

2.0 Installation

- 2.1 Install the eyebolts (one on each of the support brackets which are located at each end of the system), positioning the tension adjusting nut near the end of the threaded bolt (see Figure 2). The anchor bracket, supplied with the system, may be mounted from the same bolt (see Figure 1).
- 2.2 Anchor the catenary wire to the eyebolt at the fixed end using the thimble and cable clips. (See Figure 2.)
- 2.3 Pass the wire rope through all the cable trolleys starting at the anchor bracket end and working toward the tow trolley end. Note: Place the wire rope on the lower side of the trolley roller and upper side of the tow trolley roller. By feeding the tow trolley onto the wire rope in this manner the tow trolley is used to support the wire rope. (See Figure 1.)



2.0 Installation

- 2.4 Tie the trolleys temporarily to the fixed end bolt so that the weight of the trolleys does not contribute to the sag of the wire rope.
- 2.5 Anchor the other end of the wire rope to the eyebolt at the mobile end keeping the wire rope as taut as possible.
- 2.6 Tighten the tension adjusting nut on the eyebolts to achieve a cable sag in the wire rope (at the center point) of approximately 3/8", or 0.2% of the stretch wire length.
- 2.7 Tighten the locking nuts on the eyebolts located at both ends of the system.
- 2.8 Release the trolleys and check to see that they run freely across the length of the wire rope.
- 2.9 Attach the tow bar to the hoist and engage the tow trolley by passing the tow bar through the hole in the tow trolley.
- 2.10 The festoon system is now installed. Before hook-up and application of power, cycle the carriers manually to check that the system is operating satisfactorily.
- 2.11 Apply power and cycle the system at the slowest possible speed while verifying that the system is functioning properly.
- 2.12 Note: Purchaser is responsible for supplying and ensuring that the supporting brackets are secured properly to the structure. The support brackets should be mounted at an appropriate elevation as required by the system layout.

3.0 Operation

3.1 Pre-Operation Inspection

- 3.1.1 Check for proper mounting of support brackets and installation of eyebolts and clamps.
- 3.1.2 Check for obstruction of path of trolley system.
- 3.1.3 Check cable clearances, that cables are hanging properly and are not tangled.

3.2 Operation Instructions

- 3.2.1 Do not exceed the voltage or amperage rating of the cable. Overheating, fire, damage to equipment, or personal injury could result.
- 3.2.2 Operate the festoon system within the electrical and mechanical limits for which it was designed.

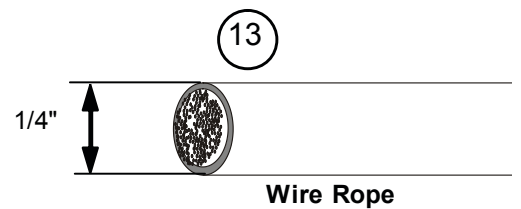
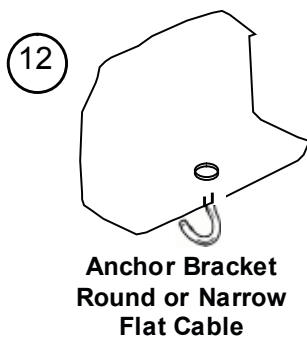
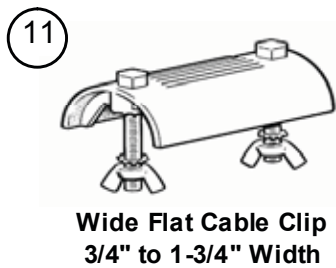
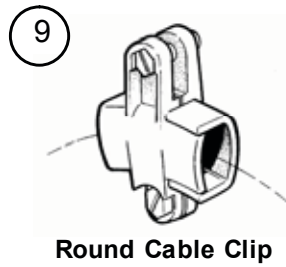
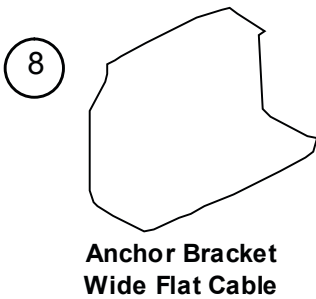
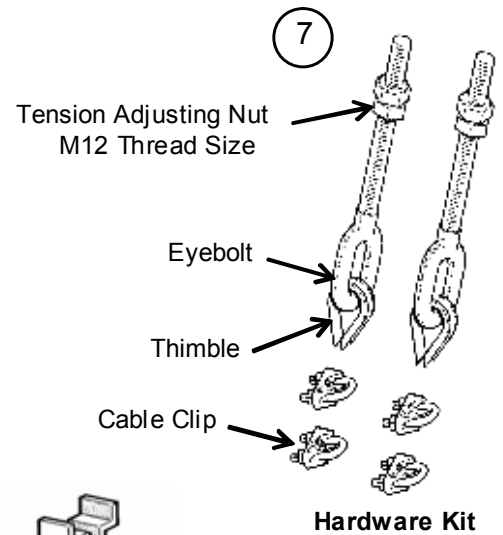
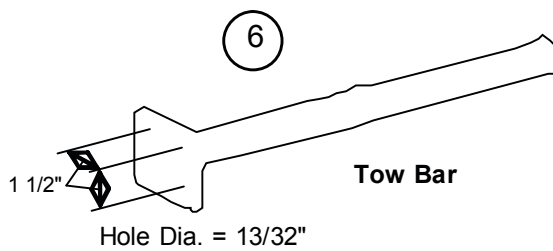
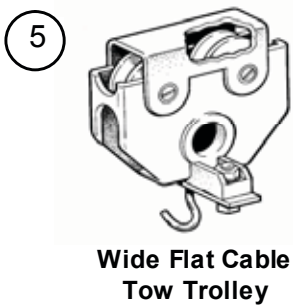
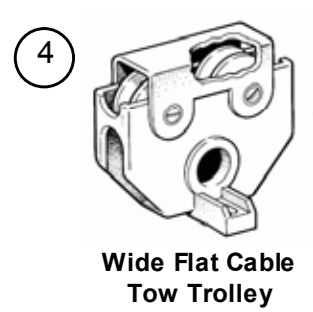
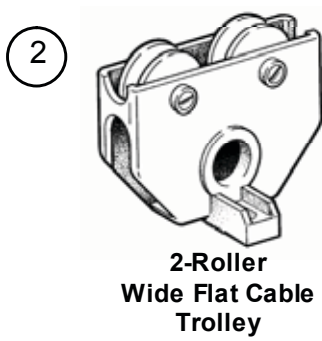
4.0 Maintenance

4.1 Maintenance Instructions

- 4.2 Customer should conduct periodic inspections of the system. Determine the inspection intervals based on severity of duty cycle and environment. We recommend the following checks during inspection:
 - 4.2.1 Check all rollers for wear.
 - 4.2.2 Check tightness of all hardware.
 - 4.2.3 Check cable clamp of all trolleys, making sure cables remain secure.
 - 4.2.4 Inspect cable insulation for any cuts or cracks.
 - 4.2.5 Check stretched wire for wear and proper sag.

5.0 Replacement Parts

5.1 Replacement Part Descriptions



Notes

www.conductix.com

Conductix-Wampfler

10102 F Street
Omaha, NE 68127
USA

Customer Support
Phone: 800 521 4888
Fax: 800 780 8329

Phone: 402 339 9300
Fax: 402 339 9627

info.us@conductix.com
www.conductix.com

