



POWER AND DATA TRANSFER

## HEADQUARTERS

**DELACHAUX S.A.**  
119 Avenue Louis Roche - BP152  
92231 Gennevilliers Cedex  
FRANCE  
Tel: +33 (0)1 46 88 15 00  
Fax: +33 (0)1 46 88 15 01  
delachomgt@delachaux.fr  
www.delachaux.fr

## CONDUCTIX OPERATIONS

119 Avenue Louis Roche - BP152  
92231 Gennevilliers Cedex  
FRANCE  
Tel: +33 (0)1 46 88 15 13  
Fax: +33 (0)1 46 88 15 10  
conductix@delachaux.fr  
www.conductix.com

## Countries where we are also represented:

Algeria, Argentina, Austria, Bahrain, Bolivia, Brazil, Bulgaria, Cameroon, Chile, China, Colombia, Congo, Ivory Coast, Croatia, Czech Republic, Denmark, U.A.E., Ecuador, Egypt, Finland, Gabon, Greece, Guatemala, Guinea, Honduras, Hungary, Indonesia, India, Iraq, Iran, Ireland, Israel, Japan, Jordan, Korea, Kuwait, Lebanon, Madagascar, Malaysia, Mali, Mauritania, Mexico, Morocco, Netherlands, New Zealand, Niger, Nigeria, Norway, Pakistan, Panama, Paraguay, Peru, Philippines, Poland, Portugal, Romania, Russia, Saudi Arabia, Senegal, Slovakia, South Africa, Spain, Sweden, Switzerland, Syria, Taiwan, Thailand, Tunisia, Turkey, Uruguay, Venezuela, Vietnam ...

## CONDUCTIX Worldwide ...

**AUSTRALIA**  
CONDUCTIX Pty. Ltd (Insul-8)  
Dandenong  
Tel: +(61) 3 97 06 88 44  
Fax: +(61) 3 97 94 92 98  
info@conductix.com.au  
www.conductix.com.au

**BENELUX**  
CONDUCTIX Benelux  
Bruxelles  
Tel: +(32) (0)2 469 25 60  
Fax: +(32) (0)2 469 29 35  
info@conductix.be  
www.conductix.be

**CANADA**  
CONDUCTIX Corp. (Insul-8)  
St Jérôme  
Tel: +(1) 450 565 9900  
Fax: +(1) 450 432 6985  
infocanada@conductix.us  
www.conductix.us

**CHINA**  
CONDUCTIX Ltd. (Han Fa)  
Wuhan  
Tel: +(86) 27 83 49 99 88  
Fax: +(86) 27 83 49 99 89  
info@conductix.cn  
www.conductix.cn

**FRANCE**  
CONDUCTIX (Delachaux)  
Belley  
Tel: +33 (0)4 79 42 50 00  
Fax: +33 (0)4 79 42 50 05  
infoconductix@delachaux.fr  
www.conductix.fr

Gennevilliers  
Tel: +33 (0)1 46 88 15 23  
Fax: +33 (0)1 46 88 15 21  
infoconductix@delachaux.fr  
www.conductix.fr

**GERMANY / AUSTRIA**  
CONDUCTIX GmbH  
Offenbach / Main  
Tel: +(49) 69 98 40 23 0  
Fax: +(49) 69 98 40 23 99  
info@conductix.de  
www.conductix.de

**ITALY**  
CONDUCTIX Srl (Comes)  
Milan  
Tel: +39 (0) 39 607 431  
Fax: +39 (0) 39 607 43292  
info@conductix.it  
www.conductix.it

Turin  
Tel: +39 (0) 11 45 09 007  
Fax: +39 (0) 11 42 41 007  
info@conductix.it  
www.conductix.it

**MEXICO**  
CONDUCTIX S.de R.L. de C.V. (Insul-8)  
Monterrey  
Tel: +(52) 811 090 9013  
Fax: +(52) 811 090 9014  
infomexico@conductix.us  
www.conductix.com.mx

**SOUTHEAST ASIA**  
CONDUCTIX Singapore  
Singapore  
Tel: +(65) 6329 6405  
Fax: +(65) 6329 9699  
info@conductix.com.sg  
www.conductix.com

**UNITED KINGDOM**  
CONDUCTIX Ltd. (Insul-8)  
Salford  
Tel: +(44) 161 848 01 61  
Fax: +(44) 161 873 70 17  
info@conductix.co.uk  
www.conductix.co.uk

**UNITED STATES**  
CONDUCTIX, Inc. (Insul-8)  
Omaha, NE  
Tel: +(1) 800 521 4888  
+(1) 402 339 9300  
Fax: +(1) 800 780 8329  
+(1) 402 339 9627  
info@conductix.us  
www.conductix.us

Harlan, IA  
Tel: +(1) 402 339 9300  
Fax: +(1) 402 339 9627  
info@conductix.us  
www.conductix.us

Credit Photos - cover : Digitalvision

# PERFORMER

Cable Management Systems for your Stage



**CONDUCTIX**

DELACHAUX GROUP

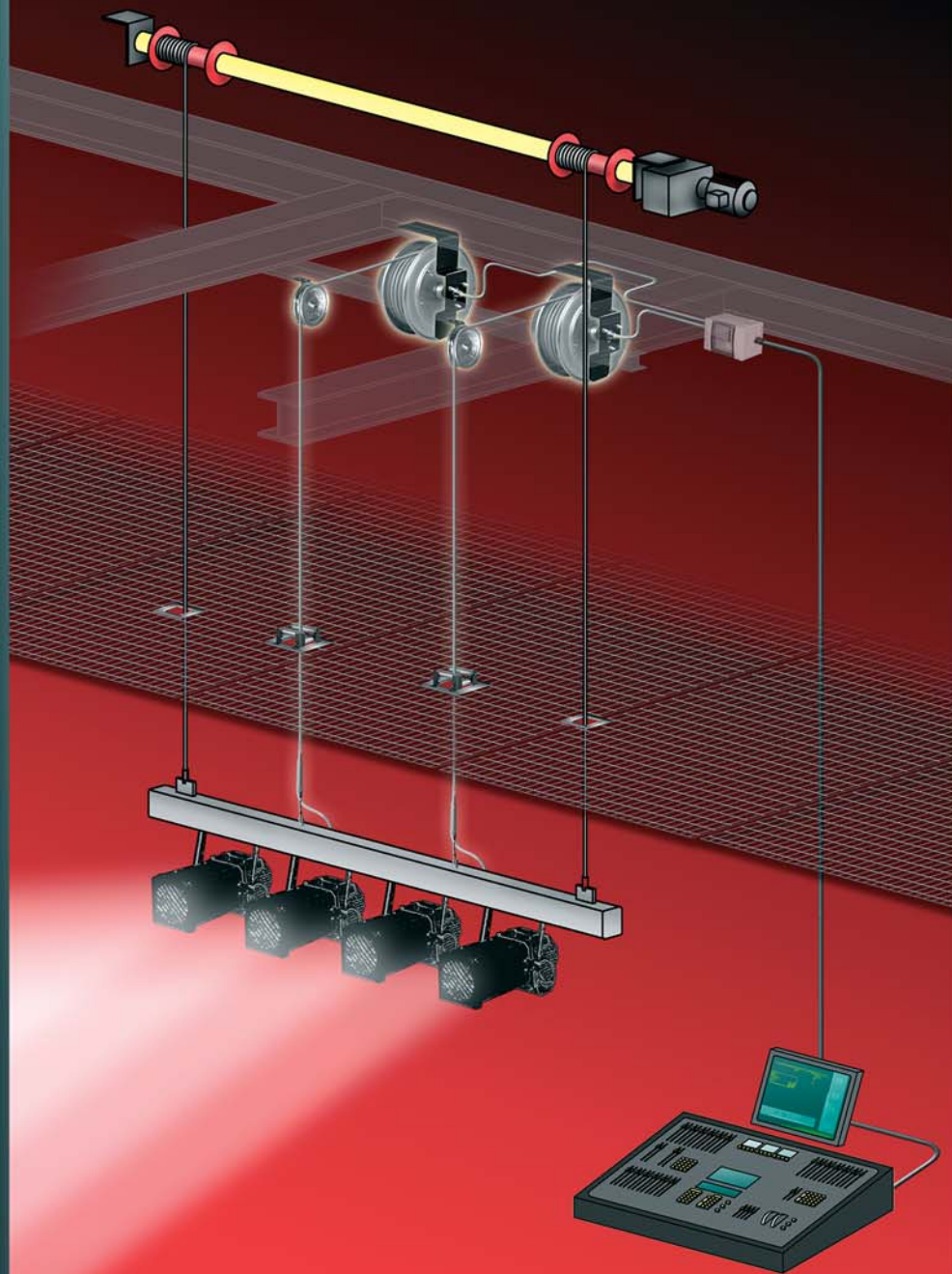
E-SCEN-0607

**CONDUCTIX**

# PERFORMER reels

*Cable Management Systems for your Stage*

A full range of cable reels to supply power and control signals to mobile lights and for a multitude of applications in theatres, auditoriums, museums, universities, convention centres, etc.



## ■ SAFETY

**PERFORMER REELS** protect technical crew and stage equipment.

## ■ OUT OF SIGHT, OUT OF MIND

Fully integrated to your theatre design, **PERFORMER REELS** are also noiseless and with no signal loss.

## ■ PERFORMANCE

Reliable, user-friendly, **PERFORMER REELS** are used in most theatres for your satisfaction.

## ■ ALL IN ONE !

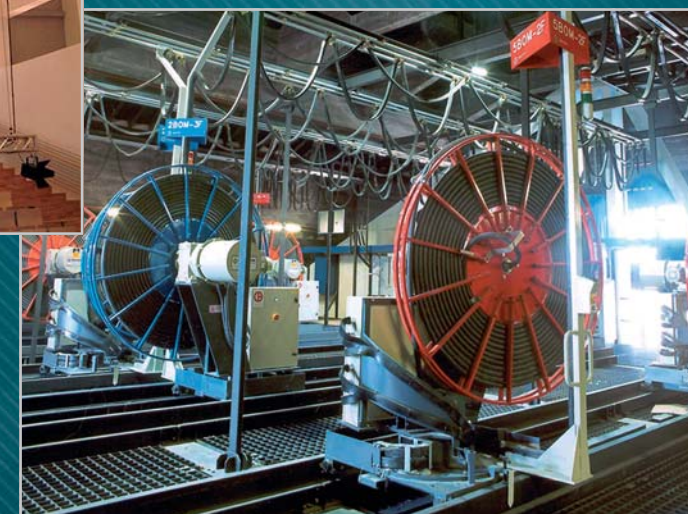
Dedicated composite cables for power and DMX signals in a single compact **PERFORMER REEL**.



## PERFORMER REELS Features

Product Range	Technology
EXEL	Automatic Spring Driven Reel
MAG DRIVE	Motorized Reel w/ Permanent Magnet Coupler
SMART DRIVE	Motorized Reel w/ Frequency Inverter

- Noiseless magnetic speed control (optional) for spring driven reels - CONDUCTIX Patent.
- Wide range of dedicated cables:
  - Polyurethane outer sheath
  - Halogen free
  - Matt, dark colour
    - High rate of power supply available.
    - High speed data transfer (including DMX 512).
    - Multitude of standardized accessories:
      - Swivel brackets
      - Roller boxes
      - Cable deflecting devices
    - Standard 2-Year Warranty.



## Some references...

Opera Garnier Paris (France) - National Theatre Helsinki (Finland) - Royal Theatre Madrid (Spain) - National Theatre Bratislava (Slovenia) - Music High School Stuttgart (Germany)- Town Theatre Luxembourg (Luxembourg) - Millennium Dome London (United Kingdom) - Burg Theatre Wien (Austria) - Kursaal Centre San Sebastian (Spain) - Opera Lyon (France) - National Theatre Mainz (Germany) - Maison de la Danse Lyon (France) - Daimler Chrysler Building Sindelfingen (Germany) - Opera Bastille Paris (France) - Town Theatre Ingolstadt (Germany) - Hesperia Theatre Barcelona (Spain) - BASF Building Ludwigshafen (Germany) - Popular Theatre Villeurbanne (France) - Maria Guerrero Theatre Madrid (Spain) - Philharmonie Concert Hall Luxembourg - Acting School Moscow (Russia) - Rheinisches Landesmuseum Bonn (Germany) - National Theatre Strasbourg (France) - SemperOper Theatre Dresden (Germany) - Fuenlabrada Hotel Madrid (Spain) - Etc.

Visit us on [www.conductix.com](http://www.conductix.com)