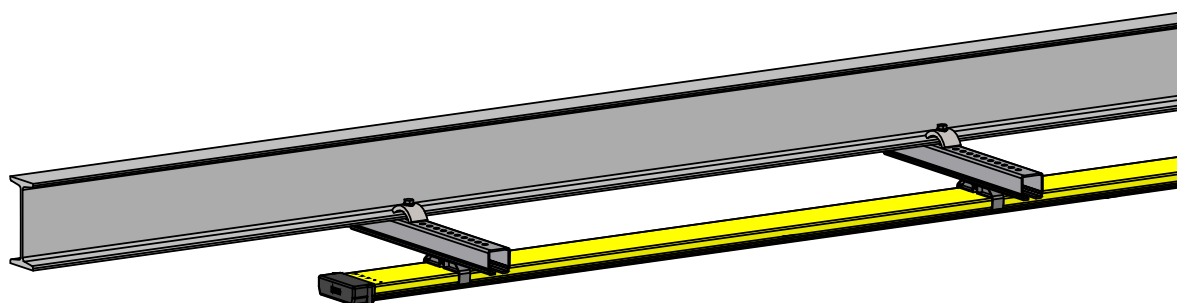
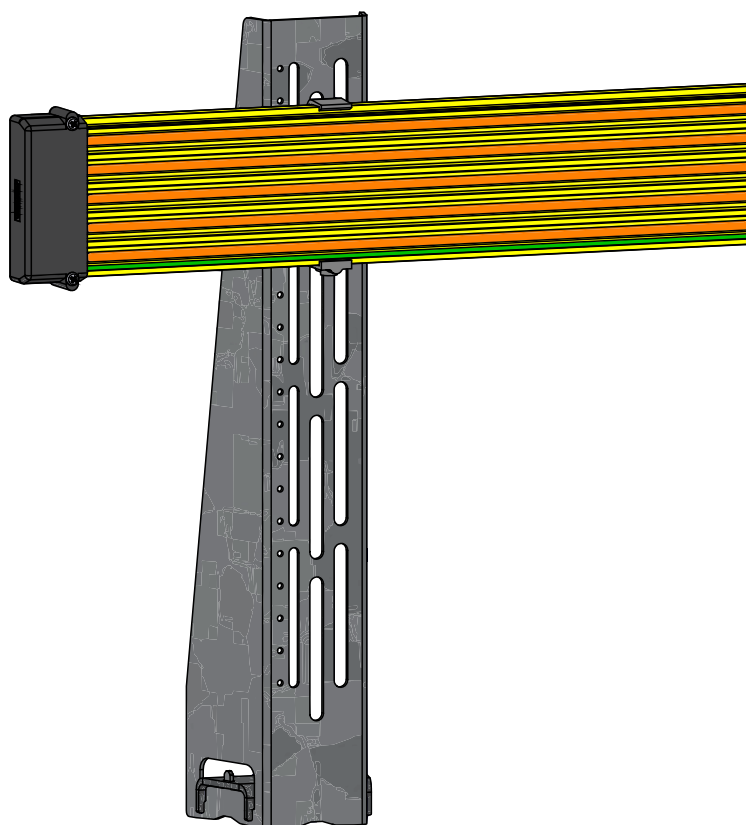




The animations do not replace the Installation Instruction. Please also refer to our Technical Documentation (“MV0831-0006” and “MV0831-0009”)!

NOTICE!

MultiLine 0831 Conductor Rail System (horizontal operation and vertical operation)



Please click the hyperlink or scan the code to start each animation:

MultiLine 0831 Overview:

[MOV0831-0001](#)



Console Assembly:

[MOV0800-0002](#)



Console Aligning:

[MOV0800-0003](#)



**Hanger Clamp and Anchor Point
Assembly (horizontal operation):**

[MOV0831-0002](#)



**Hanger Clamp and Anchor Point
Assembly (vertical operation):**

[MOV0831-0003](#)



Power Feed Mounting:

[MOV0831-0004](#)



Conductor Rail Clipping and Connecting:

[MOV0831-0005](#)



Fall Arrest Device (vertical operation):

[MOV0831-0006](#)



End Caps Assembly:

[MOV0831-0007](#)



End Feed Assembly:

[MOV0831-0008](#)



Current Collector Tolerances:

[MOV0831-0009](#)



Tightening the Anchor Point Screw:

[MOV0831-0010](#)



Notes:

Conductix-Wampfler GmbH
Rheinstraße 27 + 33
79576 Weil am Rhein - Markt
Germany

Phone: +49 (0) 7621 662-0
Fax: +49 (0) 7621 662-144
info.de@conductix.com
www.conductix.com