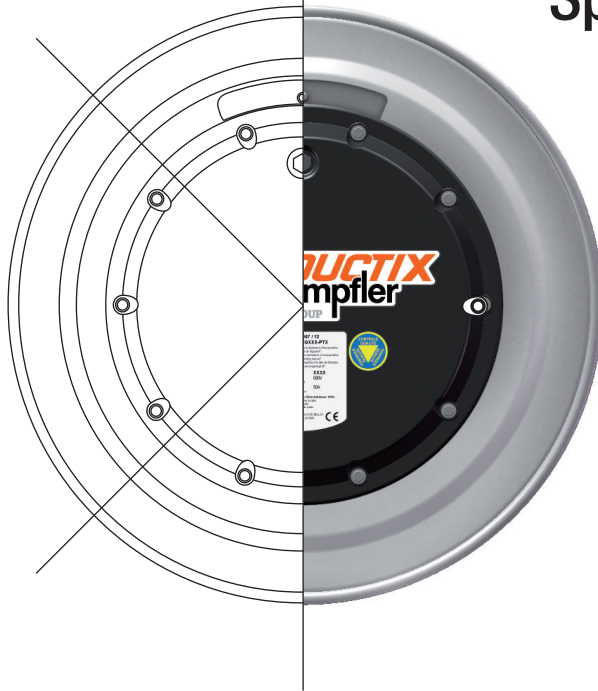


Maintenance Bulletin

Spring Driven Reels SR Range

- Replacement of Cassettes
- Reversal of the Winding Direction

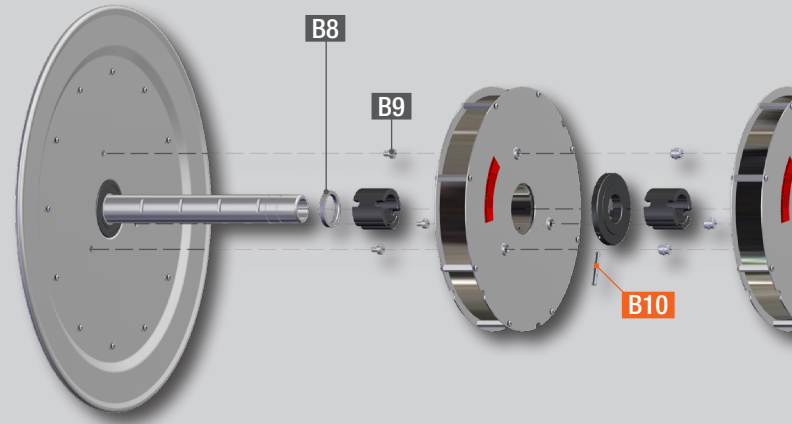


SR40-SR50 & SR60 - Replacement of Cassettes | Reversal

SR reels, series SR40-50-60, offer the possibility to change spring cassettes as spare parts according to installation Manual E-350N051 delivered along each order.

Within the instruction manual, you will also find all information needed when **reversing the winding direction of SR reels** (please note that it is done in rare & exceptional circumstances since winding direction must be defined at order stage).

In order to perform these operations even more safely, spare parts have been redefined and corresponding instructions for action have been developed.



Please read this important information on maintenance and security beforehand:



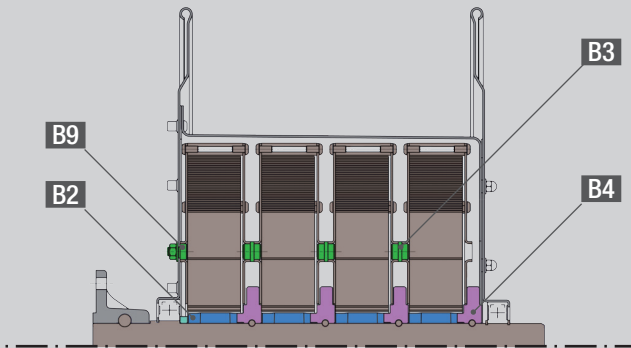
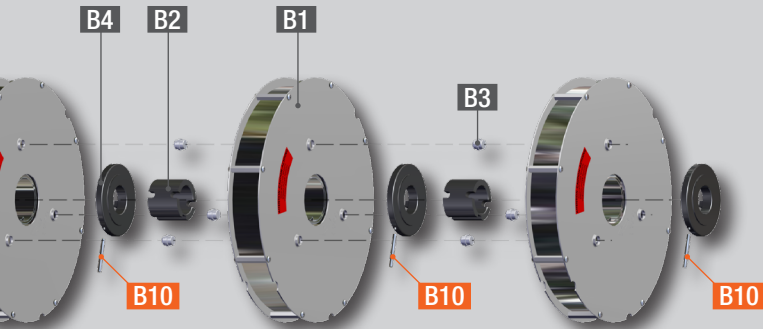
Installation Manual E-360N051



for Spring Cable Reels
SR40 | SR50 | SR60

Item	Description	2P	3P	4P
B1	Kit spring cassette with screw B10	x2	x3	x4
B2	Spring hub	x2	x3	x4
B3	Cassette driving spacer	x3	x6	x9
B4	Kit coupling disk with screw B10	x2	x3	x4
B8	Spacer	x1	x1	x1
B9	Driving pin	x3	x3	x3

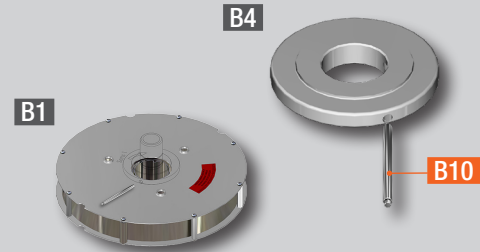
of the Winding Direction



For the mentioned operations, you will need to remove 1 to 4 coupling disk **B4** (on the left: example for 4P type where 4 x **B4** are needed).

For any cassette ordered (**B1**) and for any coupling disk order, a screw type **B10** will be part of the kit.

This means that, once untightened, the former screw has to be systematically replaced by the new type coming with ordered kits.



A thread lock glue (Loctite 222) will be needed (see on the left) to complete the operations.



www.conductix.com

**For questions, remarks, suggestions,
please contact us:**

Find a local Service Team:

www.conductix.contact

Service Team in France:

SAV.COE-Belley@conductix.com

Tel: +33 (0) 4 79 42 50 52

Product Management:

tristan.prevost@conductix.com

Tel.: +33 (0) 4 79 42 50 73

