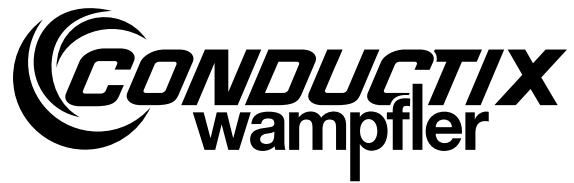
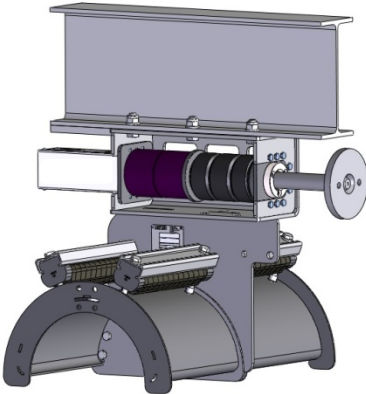
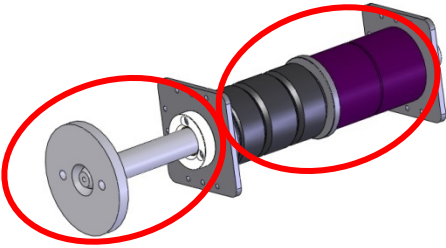


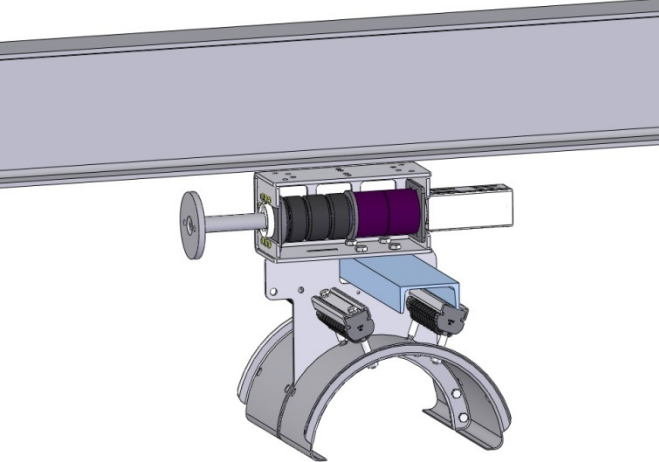
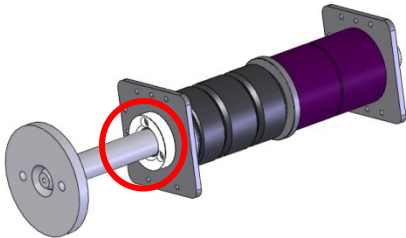
Maintenance Instructions Checklist for motorized festoon systems Programs 0365 – 0380



This Checklist **does not** replace the information given in the Operating Instructions for your system!
It is a supplement to the Mounting Instructions.

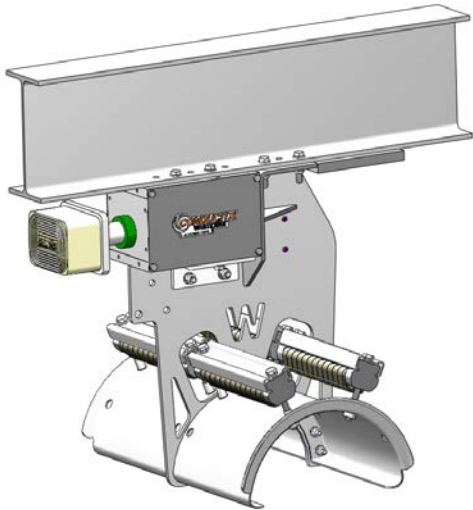
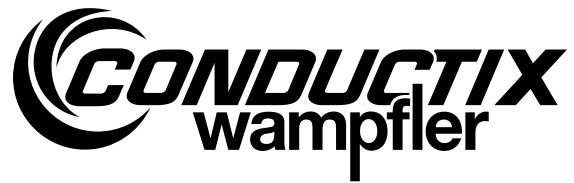
	Recommended inspection interval		
	- Every 3 months		
			

Assembly	Component	Indication of wear	Recommended measures
End clamp + towing clamp/ towing trolley + catenary (Previous version, produced before 2009)	Buffer unit	<ul style="list-style-type: none"> • Piston rod bent • tilting of the buffer plate • loose buffer plate or when 4 years of operation have been reached	Replace complete buffer units on end clamp, towing clamp and towing trolley latest after 4 years of operation

	Recommended inspection interval		
	- Every 3 months		
			

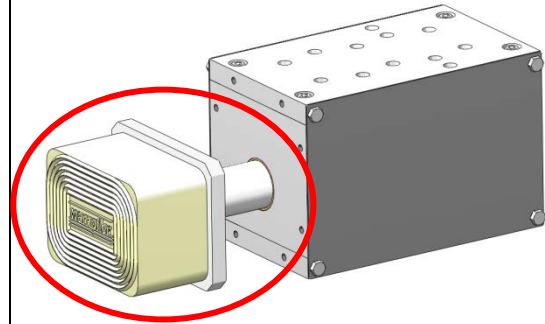
Assembly	Component	Indication of wear	Recommended measures
End clamp + towing clamp / towing trolley + catenary (Previous version, produced before 2009)	Buffer unit	<ul style="list-style-type: none"> • Bushing expanded or broken • piston rod tilting downwards or when 4 years of operation have been reached	Replace complete buffer units on end clamp, towing clamp and towing trolley latest after 4 years of operation

Maintenance Instructions
 Checklist
 for motorized festoon systems
 Programs 0365 – 0380

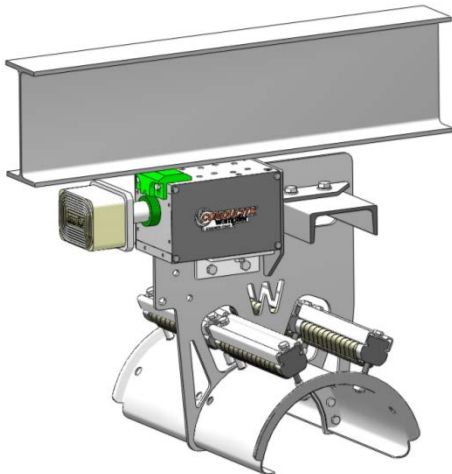


Recommended inspection interval

- Every 3 months

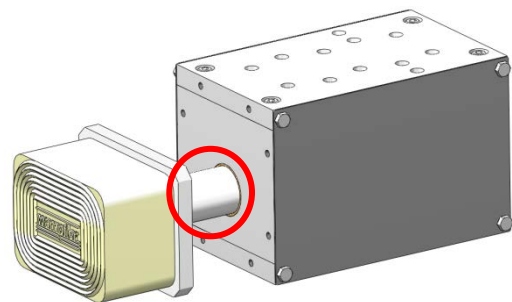


Assembly	Component	Indication of wear	Recommended measures
End clamp + towing clamp/ towing trolley + catenary (Current version, produced 2009 or later)	Buffer unit	<ul style="list-style-type: none"> • Piston rod bent • tilting of the buffer plate • loose buffer plate or when 4 years of operation have been reached <ul style="list-style-type: none"> • Buffer damaged 	Replace complete buffer units on end clamp, towing clamp and towing trolley latest after 4 years of operation Replace buffer



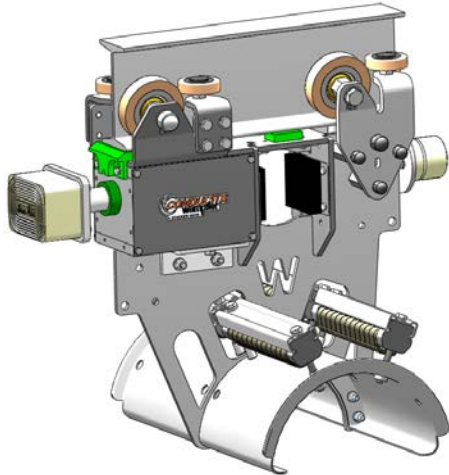
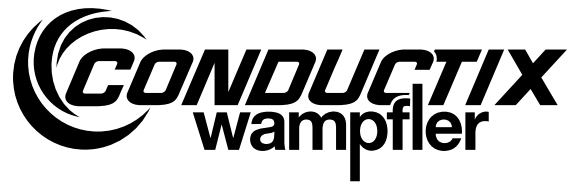
Recommended inspection interval

- Every 3 months



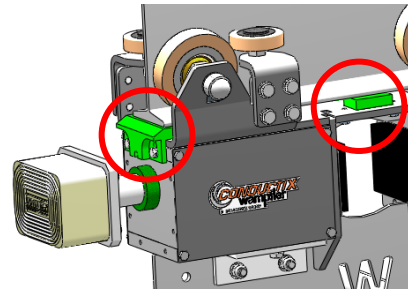
Assembly	Component	Indication of wear	Recommended measures
End clamp + towing clamp/ towing trolley + catenary (Current version, produced 2009 or later)	Buffer unit	<ul style="list-style-type: none"> • Bushing expanded or broken • piston rod tilting downwards or when 4 years of operation have been reached	Replace complete buffer units on end clamp, towing clamp and towing trolley latest after 4 years of operation

Maintenance Instructions
 Checklist
 for motorized festoon systems
 Programs 0365 – 0380

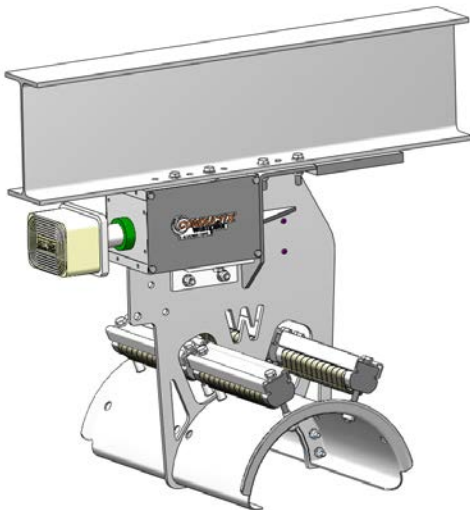


Recommended inspection interval

- After 300 hours of operation or every month

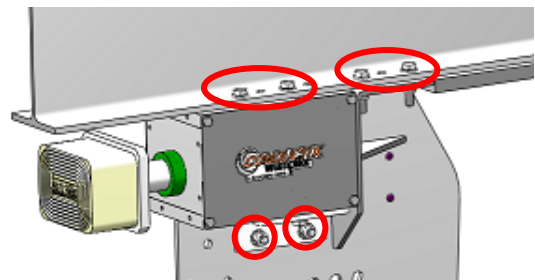


Assembly	Component	Indication of wear	Recommended measures
End clamp + towing clamp/ towing trolley + catenary	Anti-lift plate	<ul style="list-style-type: none"> Visible material wear/Gap between I-beam and anti-lift plate > 8mm Mounting screws touch I-beam 	Replace anti-lift plate



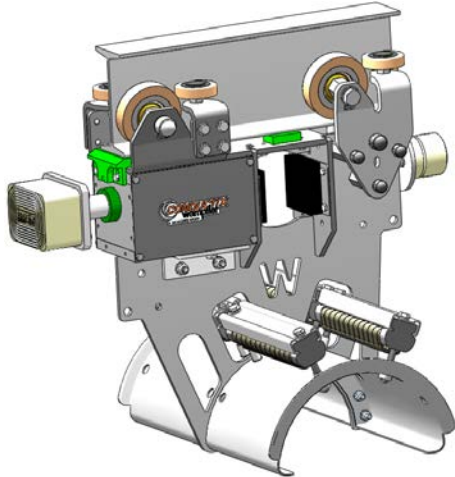
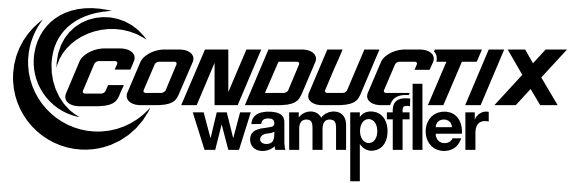
Recommended inspection interval

- Every 3 months



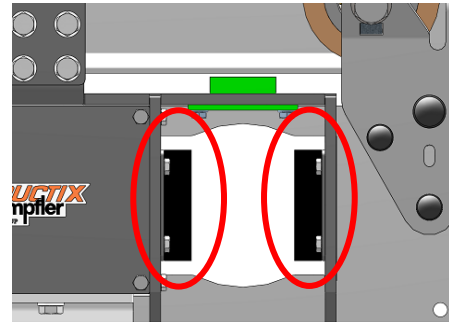
Assembly	Component	Indication of wear	Recommended measures
End clamp + towing clamp	Buffer unit	<ul style="list-style-type: none"> Loose fasteners on the track beam Strong corrosion on the fastening screws 	Tighten all fasteners Replace fastening screws

Maintenance Instructions
 Checklist
 for motorized festoon systems
 Programs 0365 – 0380

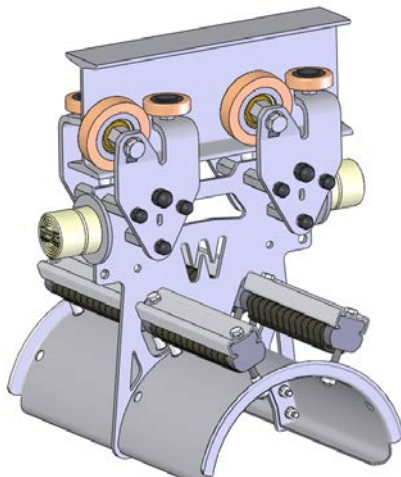


Recommended inspection interval

- After 300 hours of operation or every month

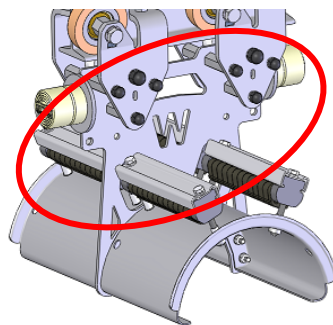


Assembly	Component	Indication of wear	Recommended measures
Towing trolley/ catenary	Towing device	<ul style="list-style-type: none"> Rubber plate in towing area worn out or missing Deformation or cracks on the towing area cracks at the weld joints 	Replace rubber plates Replace complete towing trolley/catenary



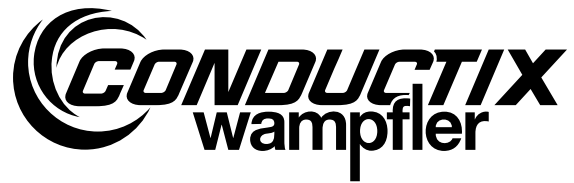
Recommended inspection interval

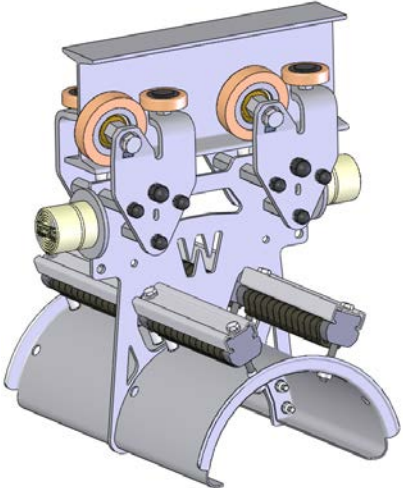
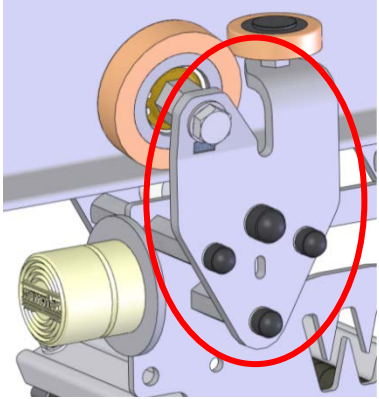
- Every 3 months

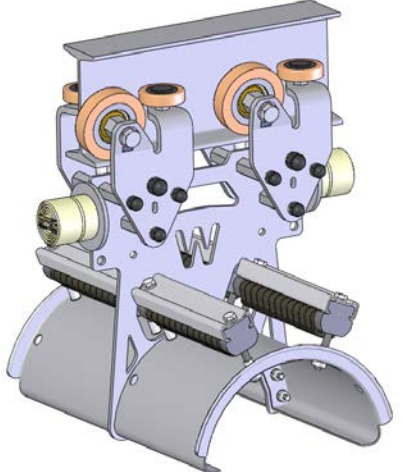
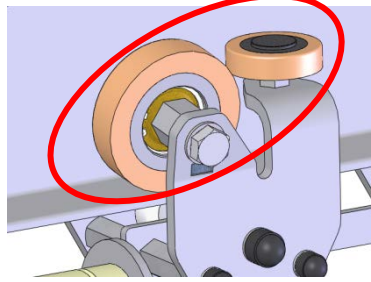


Assembly	Component	Indication of wear	Recommended measures
Cable trolley	Centre plate	<ul style="list-style-type: none"> Deformation or cracks on the centre plate Cracks at the weld joints 	Replace complete cable trolley (Investigation for root course is mandatory)

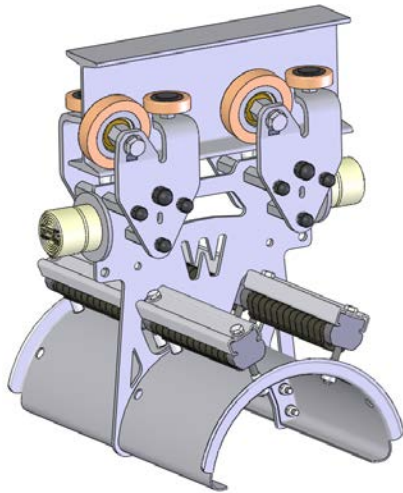
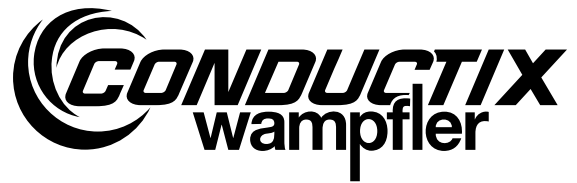
Maintenance Instructions
 Checklist
 for motorized festoon systems
 Programs 0365 – 0380



			Recommended inspection interval
			- After 300 hours of operation or every month
			
Assembly	Component	Indication of wear	Recommended measures
Cable trolley	Side shield	<ul style="list-style-type: none"> Side shield bent or touching track beam grooves on the side shield 	Replace side shield or complete running gear (Investigation for root course is mandatory)

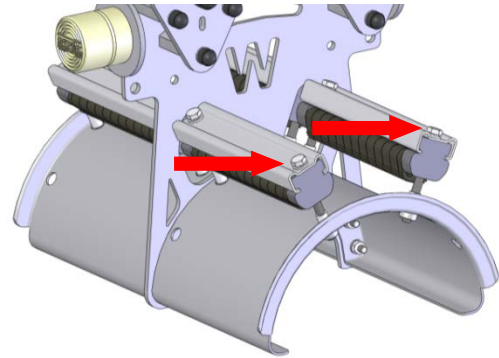
			Recommended inspection interval
			- After 300 hours of operation or every month
			
Assembly	Component	Indication of wear	Recommended measures
Cable trolley	Rollers	<ul style="list-style-type: none"> Strong wear marks/ visible damage Cracks, embrittlement or loose bandage from the core Increased bearing clearance due to worn out ball bearing High leakage of lubricants, rollers sluggish. 	Replace rollers with spare rollers

Maintenance Instructions
 Checklist
 for motorized festoon systems
 Programs 0365 – 0380

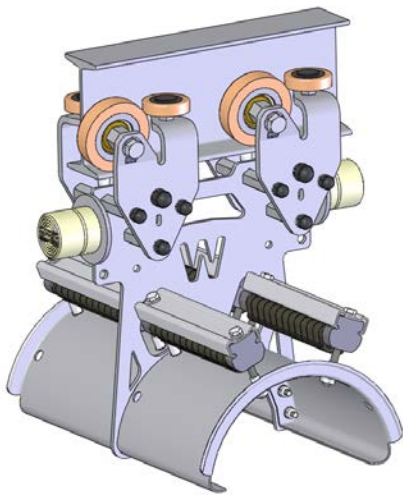


Recommended inspection interval

- After 300 hours of operation or every month

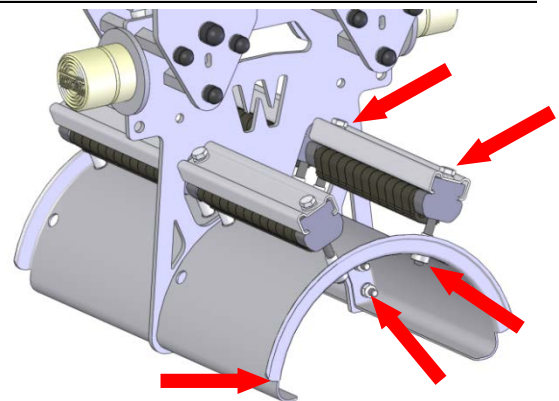


Assembly	Component	Indication of wear	Recommended measures
Clamping bar + cable support	Clamping bar	<ul style="list-style-type: none"> • Loose clamping bar • cables out of place or damaged 	Check cables for damage Tighten all fasteners on clamping bar If appropriate replace clamping bar and cables



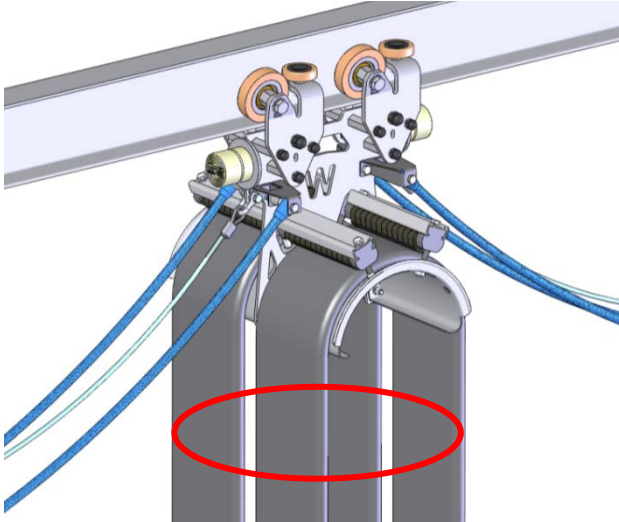
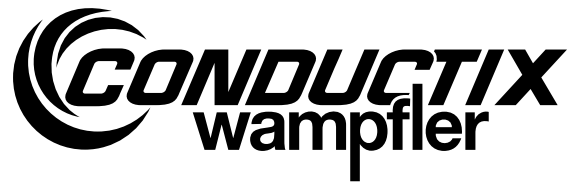
Recommended inspection interval

- After 300 hours of operation or every month



Assembly	Component	Indication of wear	Recommended measures
Clamping bar + cable support	Cable support	<ul style="list-style-type: none"> • Loose cable support • Early indications of fatigue as cracks on supports • Loose riveting nut • Not provide sufficient clamping for the cables 	Check cables for damage Tighten all fasteners on clamping bar If appropriate replace cable support, clamping bar and cables

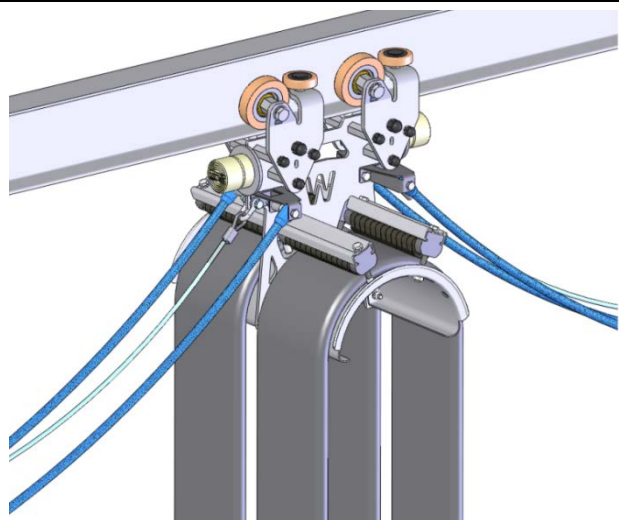
Maintenance Instructions
 Checklist
 for motorized festoon systems
 Programs 0365 – 0380



Recommended inspection interval

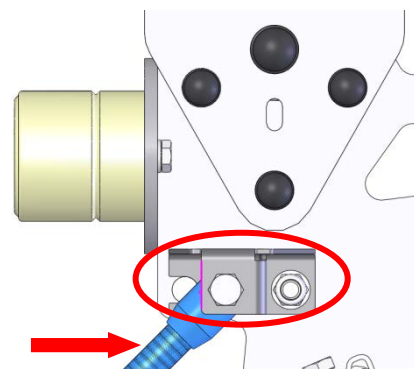
- Every 3 months

Assembly	Component	Indication of wear	Recommended measures
Cables	Cables	<ul style="list-style-type: none"> • Wire, shielding or jacket breakage • Corkscrews have formed 	Replace worn cables



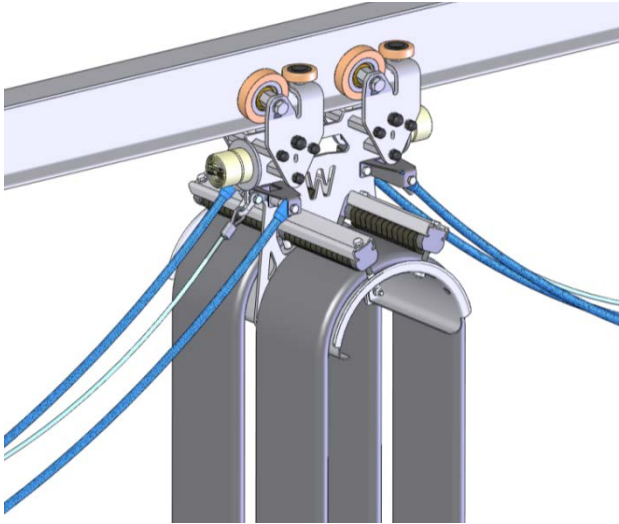
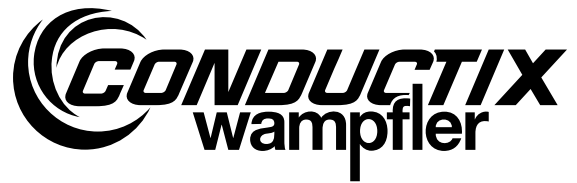
Recommended inspection interval

- After 300 hours of operation or every month



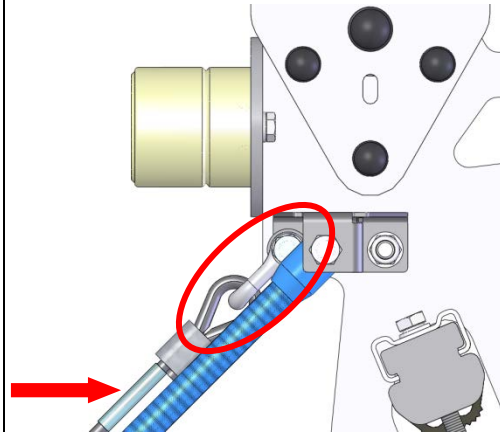
Assembly	Component	Indication of wear	Recommended measures
Damping device and shock cords	Shock cords/ console and fasteners	<ul style="list-style-type: none"> • Severe constrictions in the shock cords • The mantle of the shock cord is even partially torn • Fraying strands on the shock cord • Mechanical deformations on the shock cord brackets 	Replace of shock cord If appropriate replace console and fasteners.

Maintenance Instructions
 Checklist
 for motorized festoon systems
 Programs 0365 – 0380

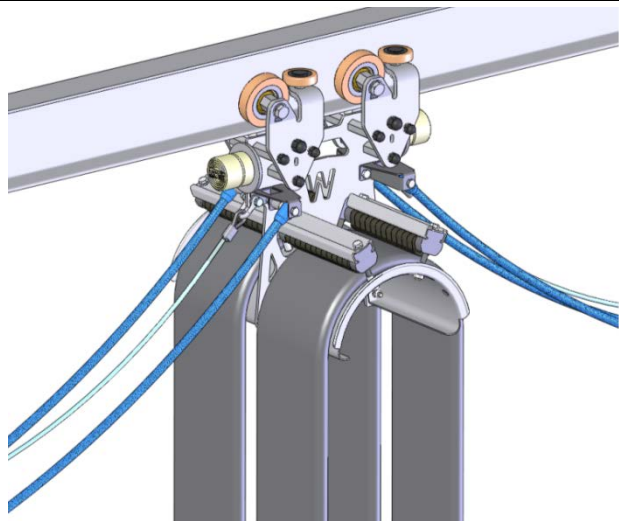


Recommended inspection interval

- After 300 hours of operation or every month

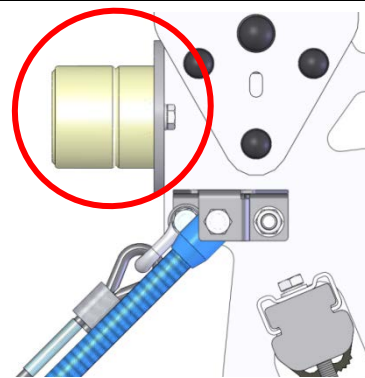


Assembly	Component	Indication of wear	Recommended measures
Towing ropes	Steel ropes + shackle and fasteners	<ul style="list-style-type: none"> • Loose steel rope • Immovable shackle • Cracks on shackle, breaks and embrittlements on steel rope 	Tighten fastening screws Lubricate shackle Replace steel rope and shackle



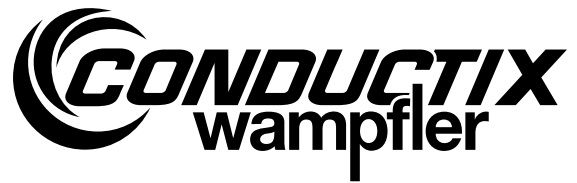
Recommended inspection interval

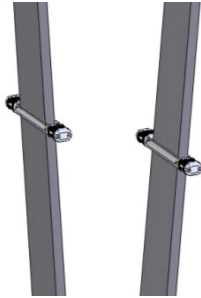
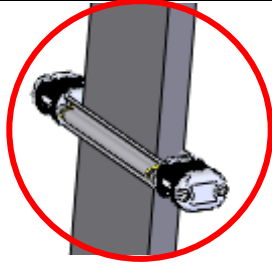
- After 300 hours of operation or every month



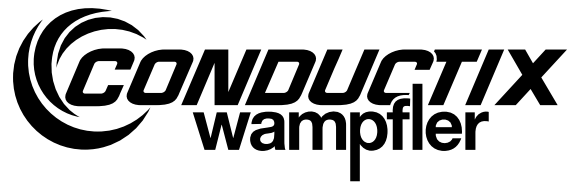
Assembly	Component	Indication of wear	Recommended measures
Buffer	Rubber or cell buffer	<ul style="list-style-type: none"> • Cracks, breaks and embrittlements on the buffer 	Replace buffer

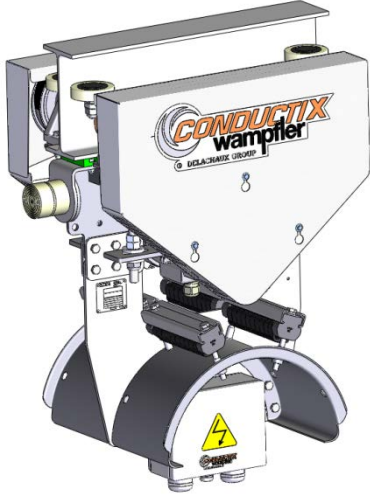
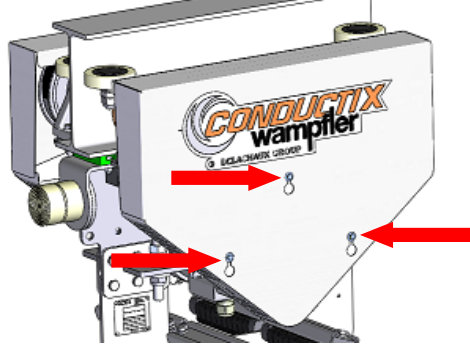
Maintenance Instructions
 Checklist
 for motorized festoon systems
 Programs 0365 – 0380

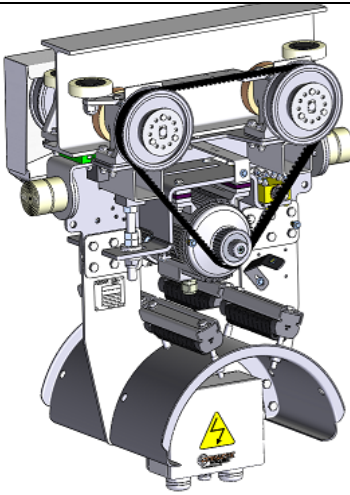
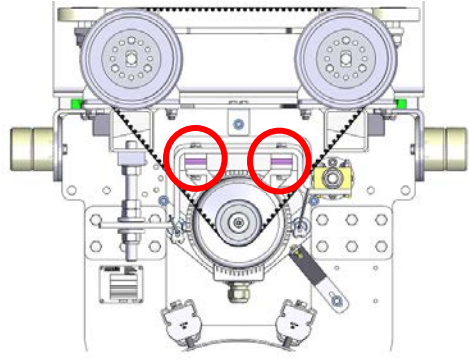


			Recommended inspection interval
			- After 300 hours of operation or every month
			
Assembly	Component	Indication of wear	Recommended measures
Cable clamps	Round cable clamps/ flat cable clamps	<ul style="list-style-type: none"> Fasteners heavily corroded/corrosion protection has failed Cracks and embrittlements in clamping rubber No sufficient clamping on the cables 	Replace cable clamps/Check cables for damage

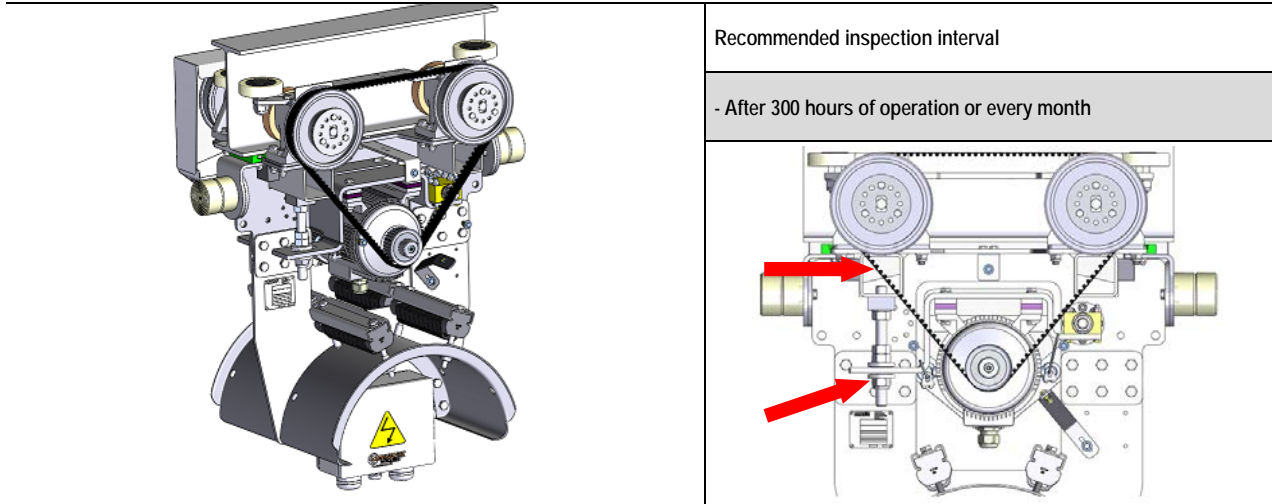
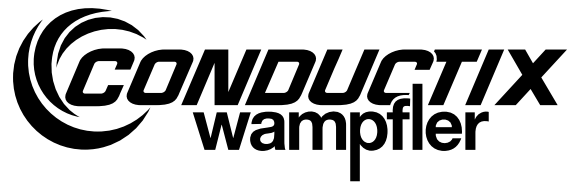
Maintenance Instructions
 Checklist
 for motorized festoon systems
 Programs 0365 – 0380



		Recommended inspection interval	
		- Every 3 months	
			
Assembly	Component	Indication of wear	Recommended measures
Motorized cable trolleys (Previous version, produced before 2011)	Protective cover	<ul style="list-style-type: none"> Missing or damaged fastening screws Heavy corrosion or cracks on the plate 	Mount new fastening screws (apply thread-locker!) Replace protective plate and fastening screws

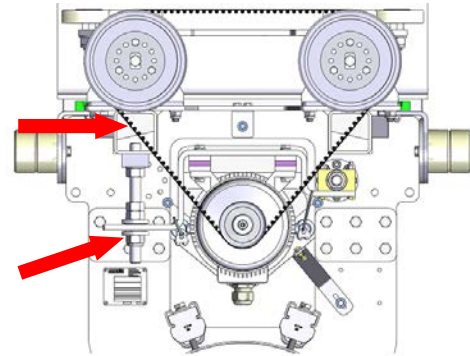
		Recommended inspection interval	
		- Every 3 months	
			
Assembly	Component	Indication of wear	Recommended measures
Motorized cable trolleys, (Previous version, produced before 2011)	Silent block	<ul style="list-style-type: none"> Corrosion Metal starting to loosen from rubber or when 6.000 operational hours or 4 years of operation have been reached - whatever comes first	Replace silent blocks with motor mounting kit after 6.000 operational hours or 4 years of operation

Maintenance Instructions
 Checklist
 for motorized festoon systems
 Programs 0365 – 0380

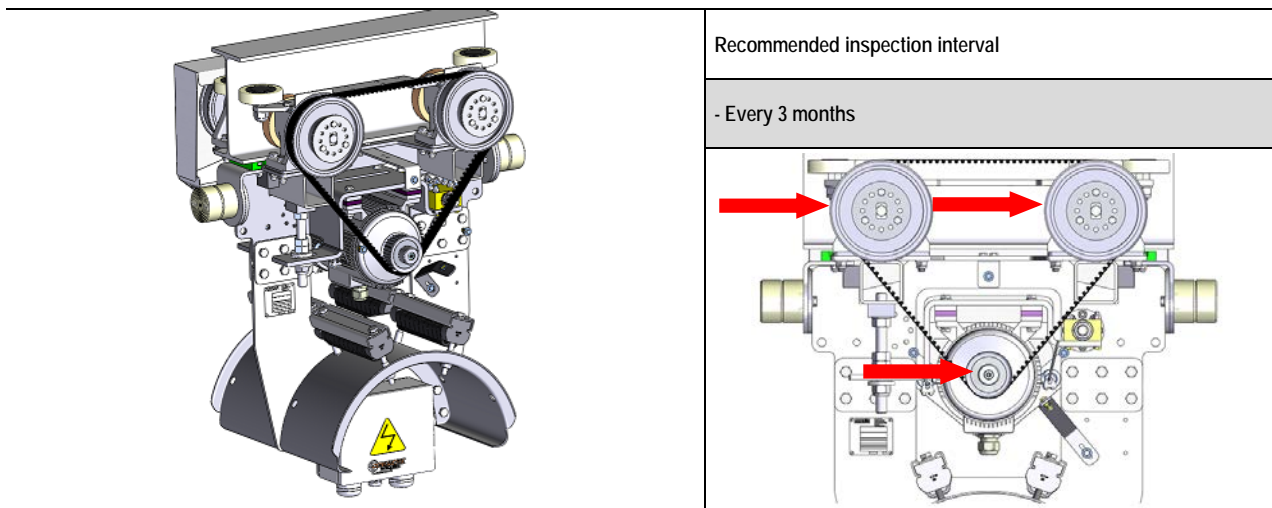


Recommended inspection interval

- After 300 hours of operation or every month

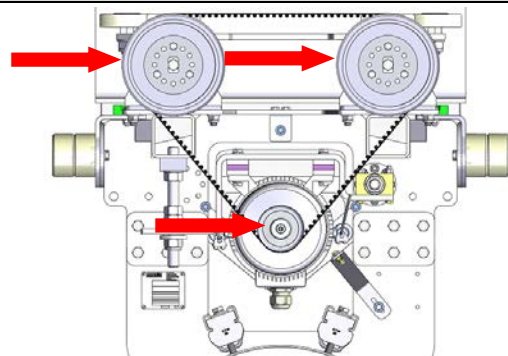


Assembly	Component	Indication of wear	Recommended measures
Motorized cable trolleys (Previous version, produced before 2011)	Tooth belt/tooth belt tension	<ul style="list-style-type: none"> • Tooth belt slipping or over tensioned • Tooth belt porous/cracked or when 6.000 operational hours or 4 years of operation have been reached - whatever comes first	Check belt tension/Check belt for damage/Adjust tooth belt tension as per manuals Replace tooth belt after 6.000 operational hours or 4 years of operation. Adjust tooth belt tension as per manual



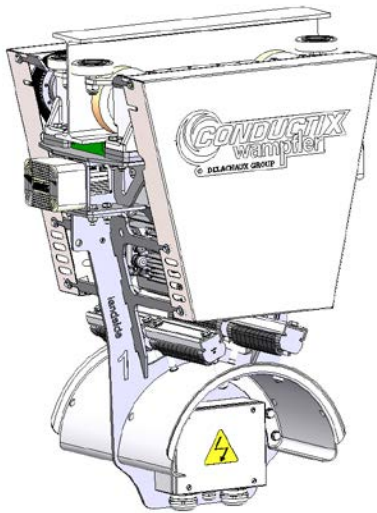
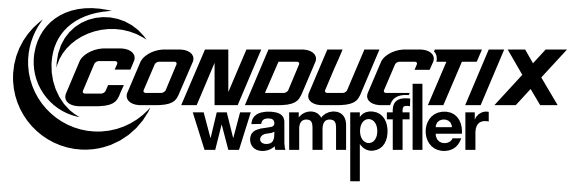
Recommended inspection interval

- Every 3 months



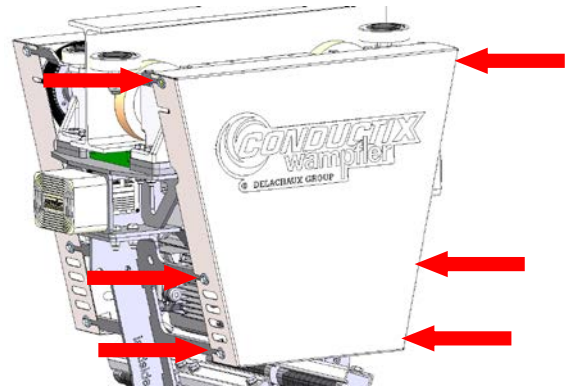
Assembly	Component	Indication of wear	Recommended measures
Motorized cable trolleys (Previous version, produced before 2011)	Tooth disk	<ul style="list-style-type: none"> • Tooth belt slipping • Thickness of the flange at the tooth disk decreased • flange or tooth disk missing 	Check belt tension/Check belt and disk for damage Replace tooth disk and belt/Adjust tooth belt tension as per manuals

Maintenance Instructions
 Checklist
 for motorized festoon systems
 Programs 0365 – 0380

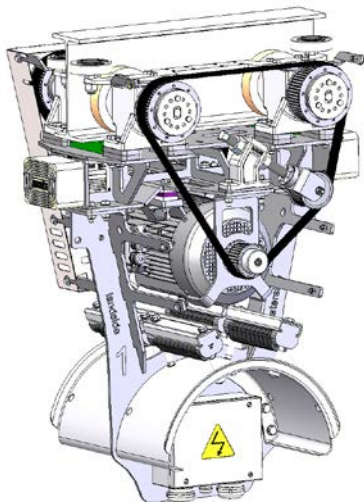


Recommended inspection interval

- Every 3 months

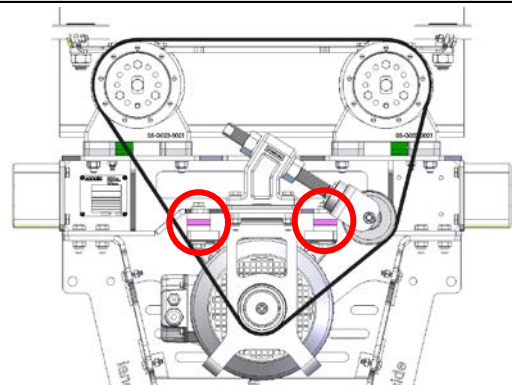


Assembly	Component	Indication of wear	Recommended measures
Motorized cable trolleys (Current version, produced 2011 or later)	Protective cover	<ul style="list-style-type: none"> Missing or damaged fastening screws Heavy corrosion or cracks on the plate 	Mount new fastening screws (apply thread-locker!) Replace protective plate and fastening screws



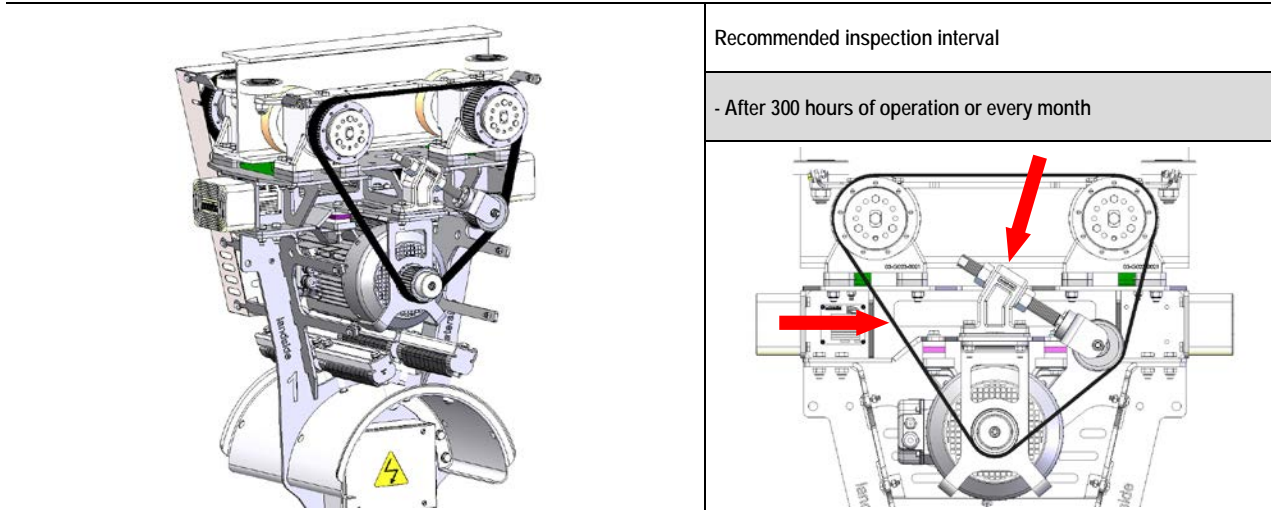
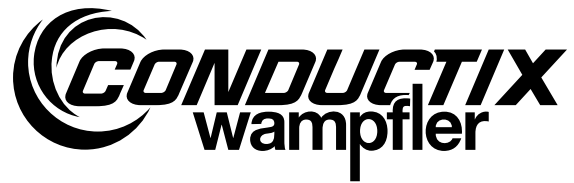
Recommended inspection interval

- Every 3 months



Assembly	Component	Indication of wear	Recommended measures
Motorized cable trolleys: (Current version, produced 2011 or later)	silent block	<ul style="list-style-type: none"> Corrosion Metal starting to loosen from rubber or when 6.000 operational hours or 4 years of operation have been reached - whatever comes first	Replace silent block with motor mounting kit after 6.000 operational hours or 4 years of operation

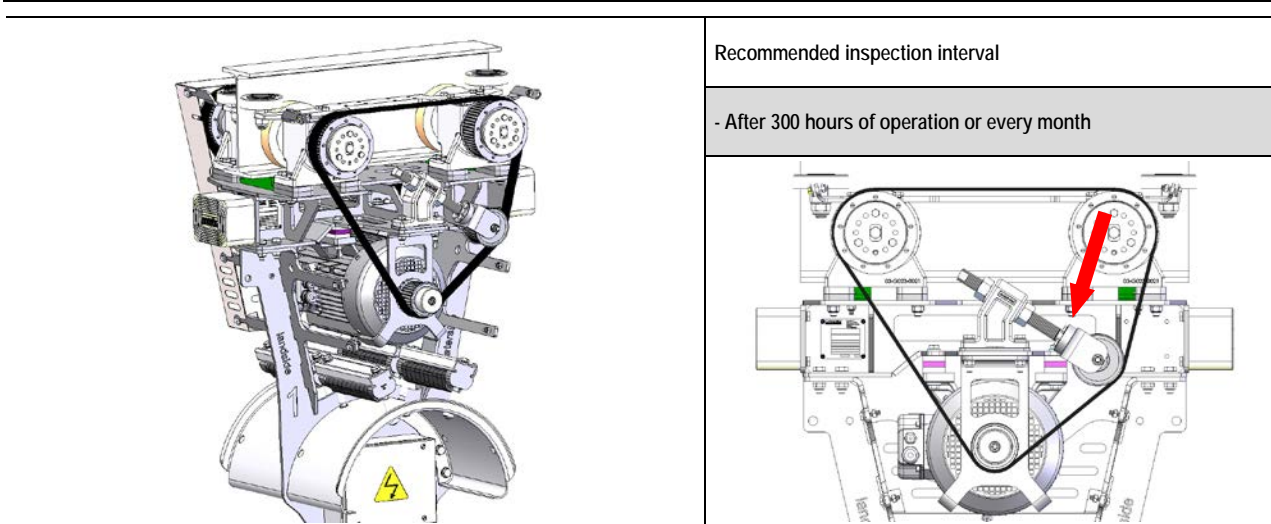
Maintenance Instructions
 Checklist
 for motorized festoon systems
 Programs 0365 – 0380



Recommended inspection interval

- After 300 hours of operation or every month

Assembly	Component	Indication of wear	Recommended measures
Motorized cable trolleys (Current version, produced 2011 or later)	Tooth belt/tooth belt tension	<ul style="list-style-type: none"> • Tooth belt slipping or over tensioned • Tooth belt porous/cracked or when 6.000 operational hours or 4 years of operation have been reached - whatever comes first	Check belt tension/Check belt for damage / Adjust tooth belt tension as per manuals Replace tooth belt after 6.000 operational hours or 4 years of operation. Adjust tooth belt tension as per manual

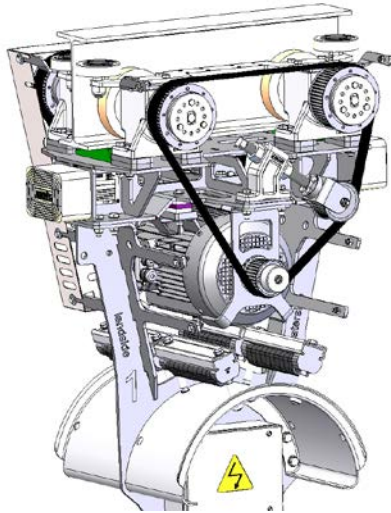
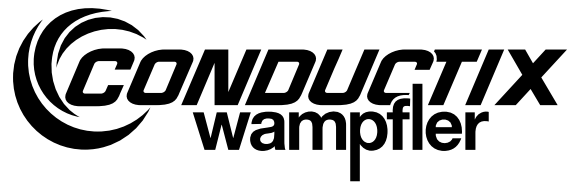


Recommended inspection interval

- After 300 hours of operation or every month

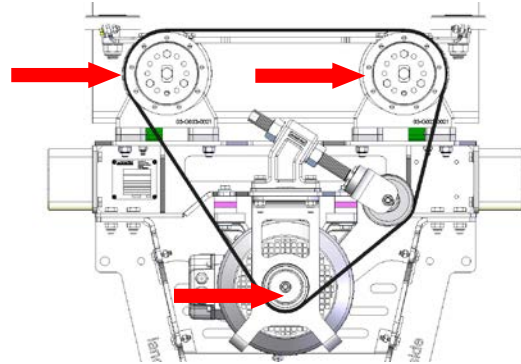
Assembly	Component	Indication of wear	Recommended measures
Motorized cable trolleys (Current version, produced 2011 or later)	tensioning roller	<ul style="list-style-type: none"> • Heavy corrosion or damages • Tensioning roller blocked • In case of high friction in the swivel joint or 4 years of operation have been reached	Check condition of the tensioning roller Replace tensioning roller in case of wear or latest after 4 years of operation

Maintenance Instructions
 Checklist
 for motorized festoon systems
 Programs 0365 – 0380



Recommended inspection interval

- Every 3 months



Assembly	Component	Indication of wear	Recommended measures
Motorized cable trolleys (Current version, produced 2011 or later)	Tooth disk	<ul style="list-style-type: none"> • Tooth belt slipping • Thickness of the flange at the tooth disk decreased • flange or tooth disk missing 	Check belt tension / Check belt and disk for damage Replace tooth disk and belt / Adjust tooth belt tension as per manuals

Conductix-Wampfler GmbH
 Rheinstraße 27 + 33
 79576 Weil am Rhein - Märkt
 Germany

Phone: +49 (0) 7621 662-0
 Fax: +49 (0) 7621 662-144
info.de@conductix.com
www.conductix.com



Importer for the United Kingdom:
Conductix-Wampfler Ltd.
 1, Michigan Avenue
 Salford
 M50 2GY
 United Kingdom

Phone: +44 161 8480161
 Fax: +44 161 8737017
info.uk@conductix.com
www.conductix.com